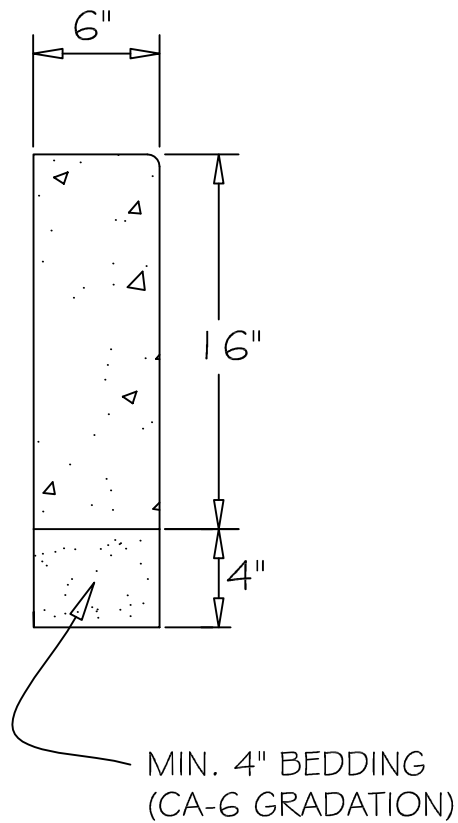


# B-6 BARRIER CURB DETAIL



## GENERAL NOTES:

1. CONTRACTION JOINTS SHALL BE PLACED BETWEEN EXPANSION JOINTS AT 15' INTERVALS.
2. EXPANSION JOINTS ARE TO BE PLACED AT 60' INTERVALS. 2 - #6 X 18" REINFORCING BARS TO BE PLACED AT ALL EXPANSION JOINTS.

NOT TO SCALE